

# Make a Mini Museum

**Making a mini museum is a great way to display things that are important to you.**

**You can make a mini exhibition out of anything!**

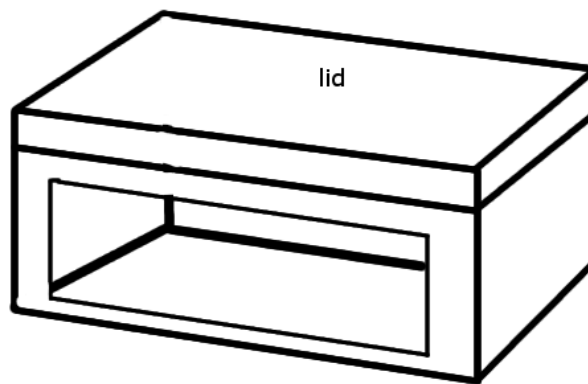
*How about a nature exhibition, with leaves and pine cones and twigs?*

*Or a collection of round things like buttons, coins and bottle tops?*

To make the mini museum, you will need a shoe box or other similar sized box and some cling film. Shoe boxes work well, because they have lids which are easy to remove and put back on, so you can change your exhibition as often as you like!

## *Instructions*

1. Using scissors (younger children will need supervision and maybe help), cut out a rectangle from the long sides of the box as shown below.



2. Take off the lid of the box, cover the holes with cling film and tape the cling film to the inside to create windows.

3. Decorate the outside of the box however you like, perhaps inspired by the objects that are going to go in it.

4. Arrange your objects inside the box. Don't forget to make labels for them, so that other people know what you collected. You can use blue tack if you have it to hold your items in place in the museum.

5. Put your lid back on. Hey presto, a mini museum!